



USB 3.1 SATA 2.5" & 3.5" HARD DRIVE DOCKING STATION
 DOCKING USB 3.1 PARA DISCOS SATA 2.5" Y 3.5"
 USB 3.1 SATA 2.5" ET 3.5" STATION DOCK DE DISQUE DUR



User Manual

Technical Data

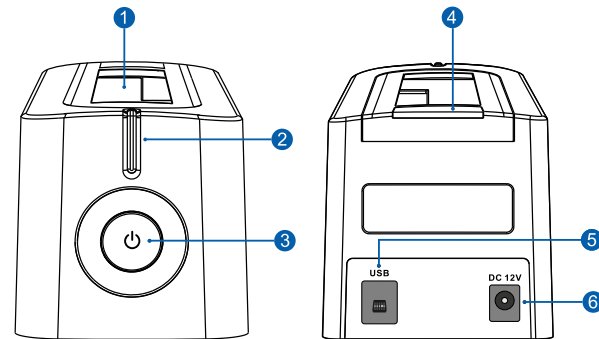
Power: DC 12V/2.0A
 Operating Systems:
 Windows
 Mac OS X

Features

- 2.5" / 3.5" SATA Hard Drive Docking Station
- USB 3.1 transfer rates
- Plug & Play, Hot Swappable
- Supports 2.5" & 3.5" SATA HDD

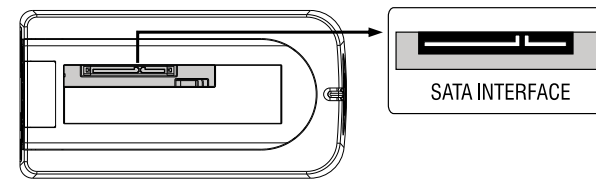
Parts

- 1-Hard Drive Slots
- 2-Power LED
- 3-Power Switch
- 4-Hard Drive Eject Button
- 5-USB 3.1 Cable Interface
- 6-Power Cable Interface

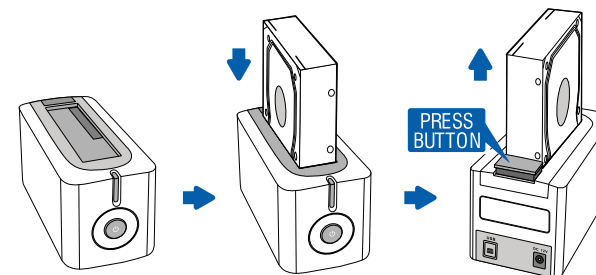


USB 3.1 SATA 2.5" & 3.5" HARD DRIVE DOCKING STATION

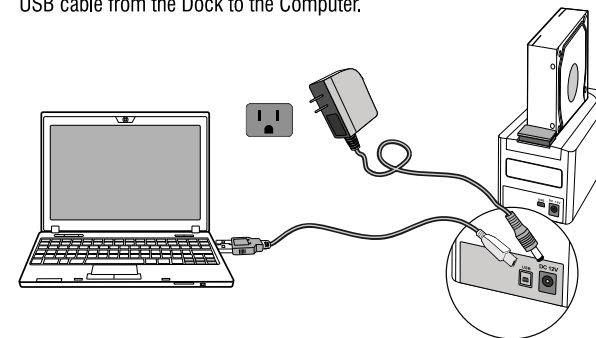
1. Check your Hard Drive to make sure it has the correct connector. This dock supports SATA only.



2. Insert the Hard Drive into the dock. The Eject Button will pop up when the Hard Drive is inserted fully.

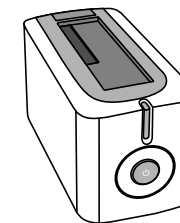


3. Next, connect the Power Adapter to a wall socket. Then, connect the USB cable from the Dock to the Computer.



USB 3.1 SATA 2.5" & 3.5" HARD DRIVE DOCKING STATION

Package Contents



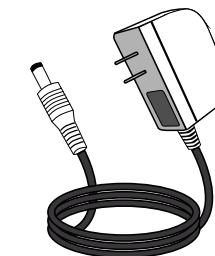
HARD DRIVE DOCK



USB 3.1 CABLE



USER MANUAL



POWER ADAPTER

