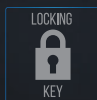
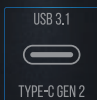


MODEL: DS-SC4B



4-BAY 3.5" SATA HARD DRIVE TRAY-LESS DOCKING STATION (USB 3.1 GEN 2)



WINDOWS / MAC OS / LINUX

QUICK INSTALLATION GUIDE

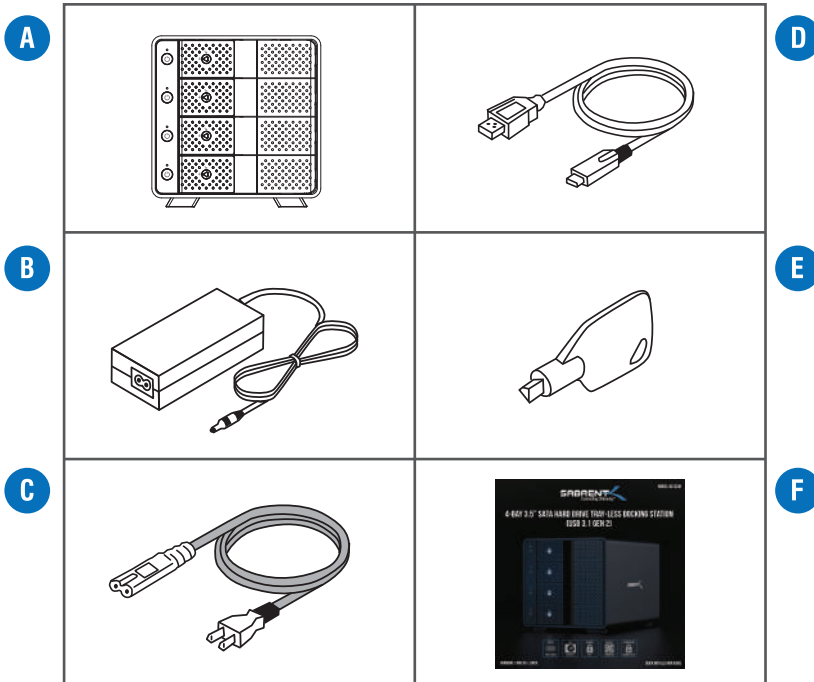
FEATURES

- USB 3.1 Gen 2 Type-C port with up to 10Gbps transfer speed.
- 4 x SATA 6Gbit/s 3.5" hard-drive bays.
- High-quality aluminum for optimal heat dissipation and structural integrity.
- Hot-Swappable with 4 independent ON/OFF power switches.
- Locking key to prevent accidental bay opening, fully tray-less design.
- Built-in 90mm fan for additional cooling power.
- Built-in Kensington security slot.
- Auto-Switching external power supply: 100 to 240 volts.
- Main ON/OFF power switch.
- Fully backward compatible with USB 3.0 / 2.0 / 1.1.
- NOTE: This multi-bay station does NOT do RAID arrays on its own.

SYSTEM REQUIREMENTS

- Windows / Mac OS / Linux

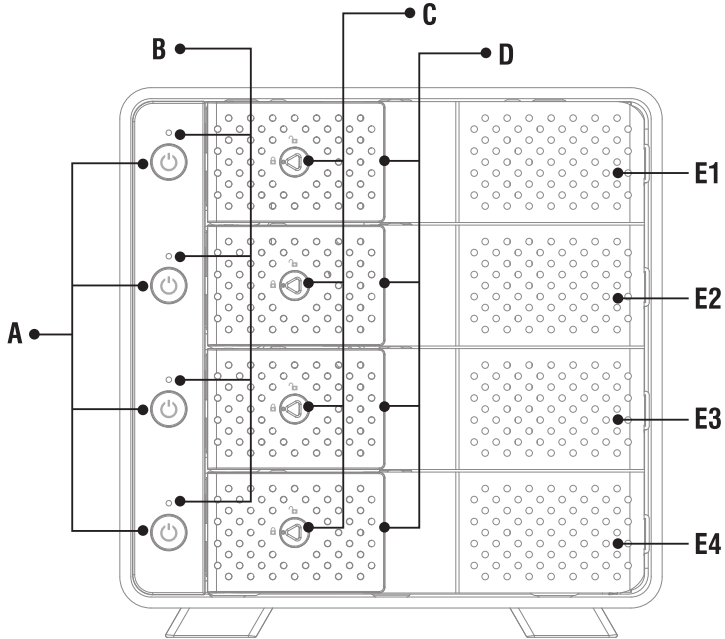
PACKAGE CONTENTS



- A.** Sabrent 4-bay Hard-Drive tray-less docking station
- B.** Auto-Switching AC-DC power adapter: 100~240VAC Input
- C.** Power Cable

- D.** USB Type-C to Type-A cable, Type-A to Type-C adapter
- E.** Locking Key
- F.** This quick installation guide

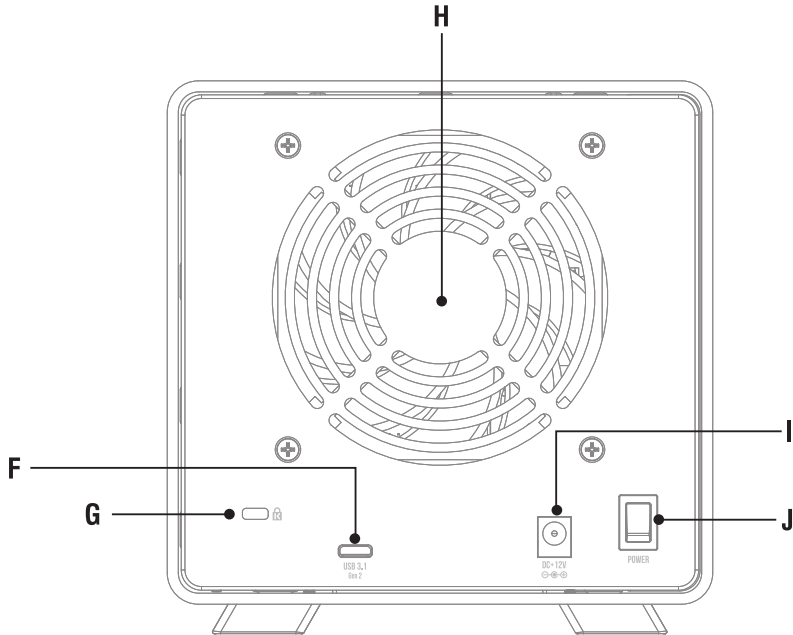
FRONT PANEL DETAIL



- A.** Independent Power Switch
- B.** Status LED
- C.** Door Lock

- D.** Door Handle
- E.** Hard Drive Slot

BACK PANEL DETAIL



- F.** USB Type-C 3.1 Generation 2 port –
Connect to computer.
- G.** Kensington Lock slot.

- H.** 90mm cooling fan.
- I.** 12V DC power input jack.
- J.** Main power switch.

LED INDICATOR REFERENCE TABLE

ACTIVITY	LED STATUS
Hard Drive inserted and Power ON	BLUE / SOLID
Hard Drive not inserted and Power ON	OFF
Accessing Hard Drive	PINK / FLASHING
Hard Drive Error	OFF
Hard Drive Ejected from PC / PC Power OFF	RED / SOLID
Independent Power ON	OFF
Main Power OFF	OFF

HDD INSTALLATION PROCEDURE

Step 1: Pull the door handle on the front panel to open each individual hard drive bay.

Step 2: Carefully insert hard drive into slot.

Step 3: Close the slot door and make sure it clicks into place. Use the locking key to avoid accidentally opening the bay (optional).

Step 4: Connect the Sabrent docking station to your computer using the USB Type-C cable. Depending on your computer, you may need to use the USB Type-A to Type-C adapter.

Step 5: Connect the AC-DC power adapter to the wall outlet and to the Sabrent docking station.

Step 6: Turn on the main power switch on the back of the unit. Turn ON / OFF each hard drive individually with the switches on the front panel.

NOTE:

- Always use your operating system's EJECT HARD DRIVE function before removing a disk, turning off your docking station, or opening any hard drive bay.
- This multi-bay station does NOT do RAID arrays on its own. You can still do RAID arrays via software. For instance, using Microsoft Storage Spaces.



WWW.SABRENT.COM